



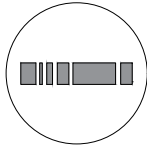
DUROSTAMP



PRESS BRAKE TOOLING USA

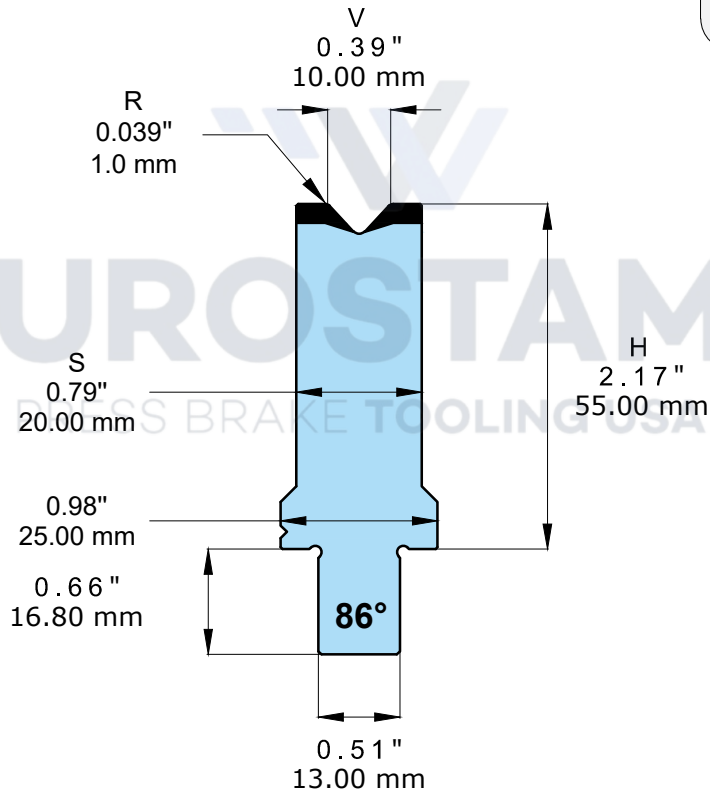
DTW.55-A86-V10-R1

H 2.17" - 55.00 mm - **86°**



Type SF3

42CrMo4
Bonificato
Tempered
 Edge
55-60 HRC
 MAX LOAD
36.55
 TONS / FT
120.00
 TONS / M



V = 0.39" / 10.00 mm / 86°

832.526.02 - SC3 20.28" / 515 mm 11.90 lbs / 5.40 kg

832.526.02 - SF3 21.65" / 550 mm 12.57 lbs / 5.70 kg



DTW.55 SERIES
WILA STYLE

