



# DUROSTAMP



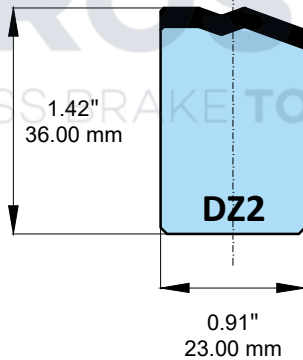
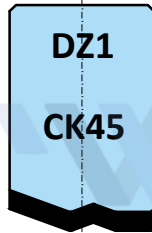
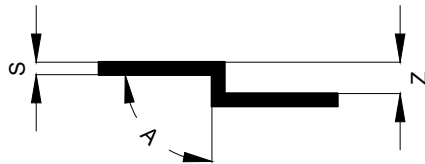
PRESS BRAKE TOOLING USA

## DZ1DZ2-1133

OFSET TOOLS

TOOLS CODE	LENGHT inch/mm	WEIGHT lb/kg
11.33.02	32.87" / 835 mm	23.15 lbs / 10.50 kg
11.33.02 - SC	16.34" / 415 mm	11.46 lbs / 5.20 kg

CODE / Z - D° - S	CODE	Z	D°	S
DZ1DZ2 - 2.5 - 140° - 1.0	11.33.02	0.098" 2,50 mm	140°	0.039" 1,00 mm



DZ SERIES  
ALL STYLES

