



DUROSTAMP



PRESS BRAKE TOOLING USA

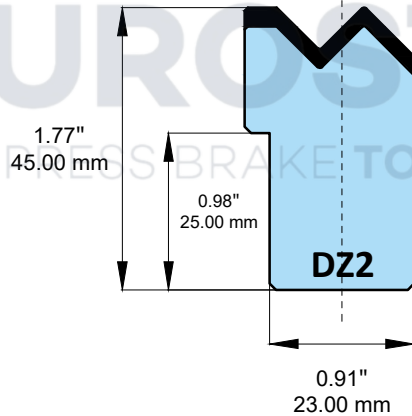
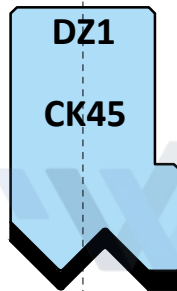
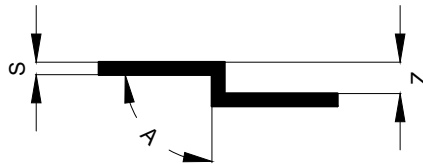
DZ1DZ2-1146

OFFSET TOOLS



TOOLS CODE	LENGHT inch/mm	WEIGHT lb/kg
11.46.02	32.87" / 835 mm	22.05 lbs / 13.60 kg
11.46.02 - SC	16.34" / 415 mm	11.02 lbs / 6.80 kg

CODE / Z - D° - S	CODE	Z	D°	S
DZ1DZ2 - 10.0 - 90° - 3.0	11.46.02	0.394" 10,00 mm	90°	0.118" 3,00 mm



DZ SERIES
ALL STYLES

