



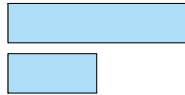
# DUROSTAMP



PRESS BRAKE TOOLING USA

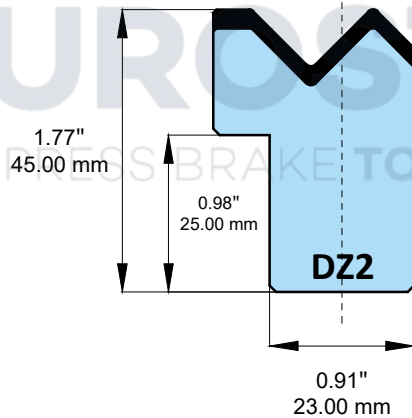
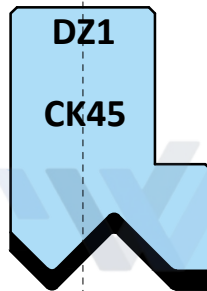
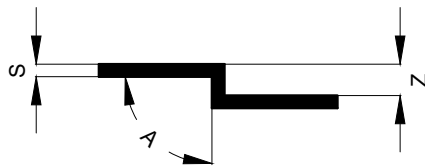
## DZ1DZ2-1279

OFFSET TOOLS



TOOLS CODE	LENGHT inch/mm	WEIGHT lb/kg
12.79.02	32.87" / 835 mm	31.97 lbs / 14.50 kg
12.79.02 - SC	16.34" / 415 mm	15.87 lbs / 7.20 kg

CODE / Z - D° - S	CODE	Z	D°	S
DZ1DZ2 - 14.0 - 90° - 3.0	12.79.02	0.551" 14,00 mm	90°	0.118" 3,00 mm



DZ SERIES  
ALL STYLES

