



DUROSTAMP

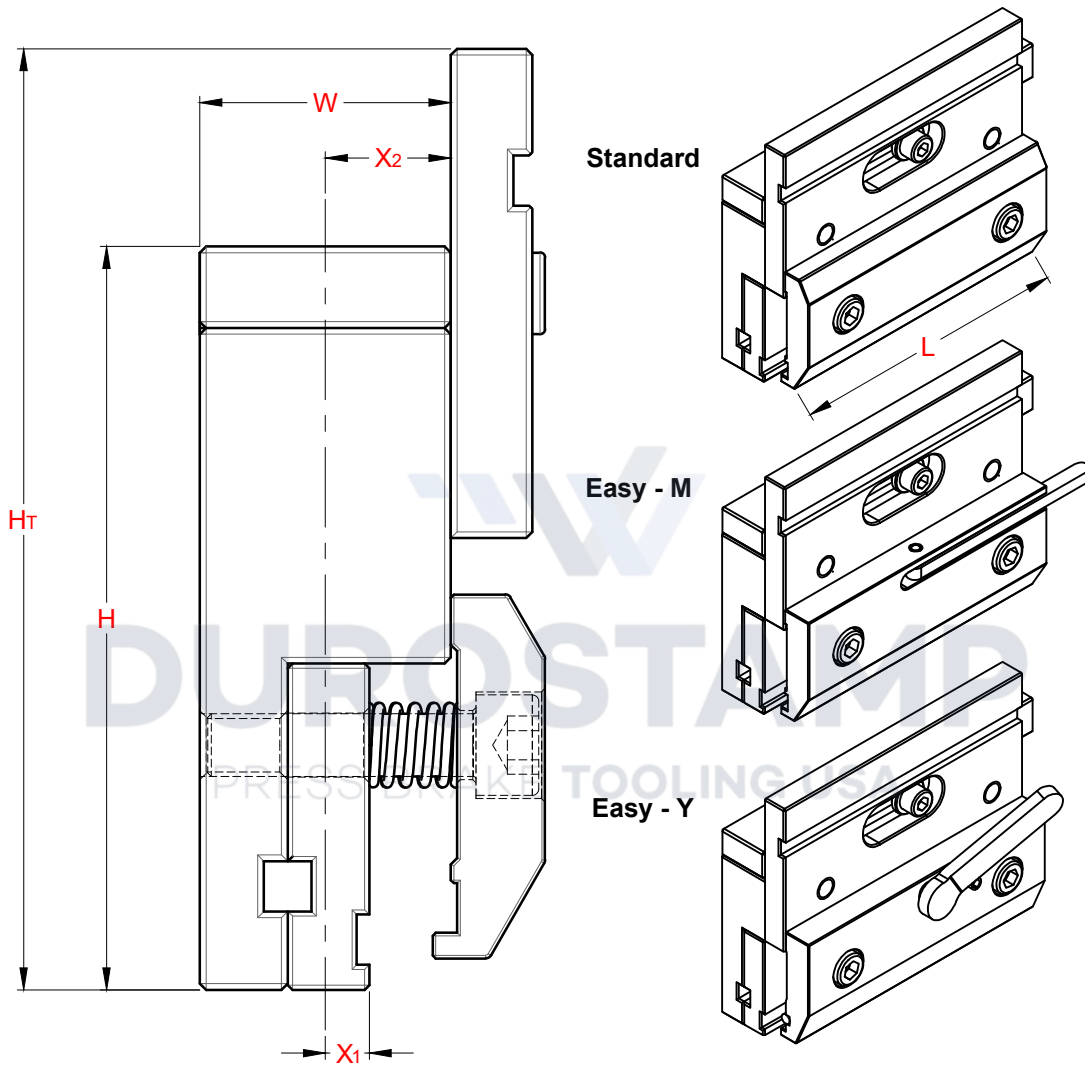


PRESS BRAKE TOOLING USA

AMERICAN TYPE W 40

PUNCH HOLDER

MODEL CODE	H	W	L	X1	X2	HT
PRA.100-S-W40	3.94" - 100 mm	1.57" - 40 mm	5.91" - 150 mm	0.28" - 7 mm	0.79" - 20 mm	5.12" - 130 mm
PRA.120-S-W40	4.72" - 120 mm	1.57" - 40 mm	5.91" - 150 mm	0.28" - 7 mm	0.79" - 20 mm	5.91" - 150 mm
PRA.150-S-W40	5.91" - 150 mm	1.57" - 40 mm	5.91" - 150 mm	0.28" - 7 mm	0.79" - 20 mm	7.09" - 180 mm
PRA.100-S-W40-M	3.94" - 100 mm	1.57" - 40 mm	5.91" - 150 mm	0.28" - 7 mm	0.79" - 20 mm	5.12" - 130 mm
PRA.120-S-W40-M	4.72" - 120 mm	1.57" - 40 mm	5.91" - 150 mm	0.28" - 7 mm	0.79" - 20 mm	5.91" - 150 mm
PRA.150-S-W40-M	5.91" - 150 mm	1.57" - 40 mm	5.91" - 150 mm	0.28" - 7 mm	0.79" - 20 mm	7.09" - 180 mm
PRA.100-S-W40-Y	3.94" - 100 mm	1.57" - 40 mm	5.91" - 150 mm	0.28" - 7 mm	0.79" - 20 mm	5.12" - 130 mm
PRA.120-S-W40-Y	4.72" - 120 mm	1.57" - 40 mm	5.91" - 150 mm	0.28" - 7 mm	0.79" - 20 mm	5.91" - 150 mm
PRA.150-S-W40-Y	5.91" - 150 mm	1.57" - 40 mm	5.91" - 150 mm	0.28" - 7 mm	0.79" - 20 mm	7.09" - 180 mm



PUNCH HOLDER
PROMECAM - EUROPEAN STYLE

