



DUROSTAMP

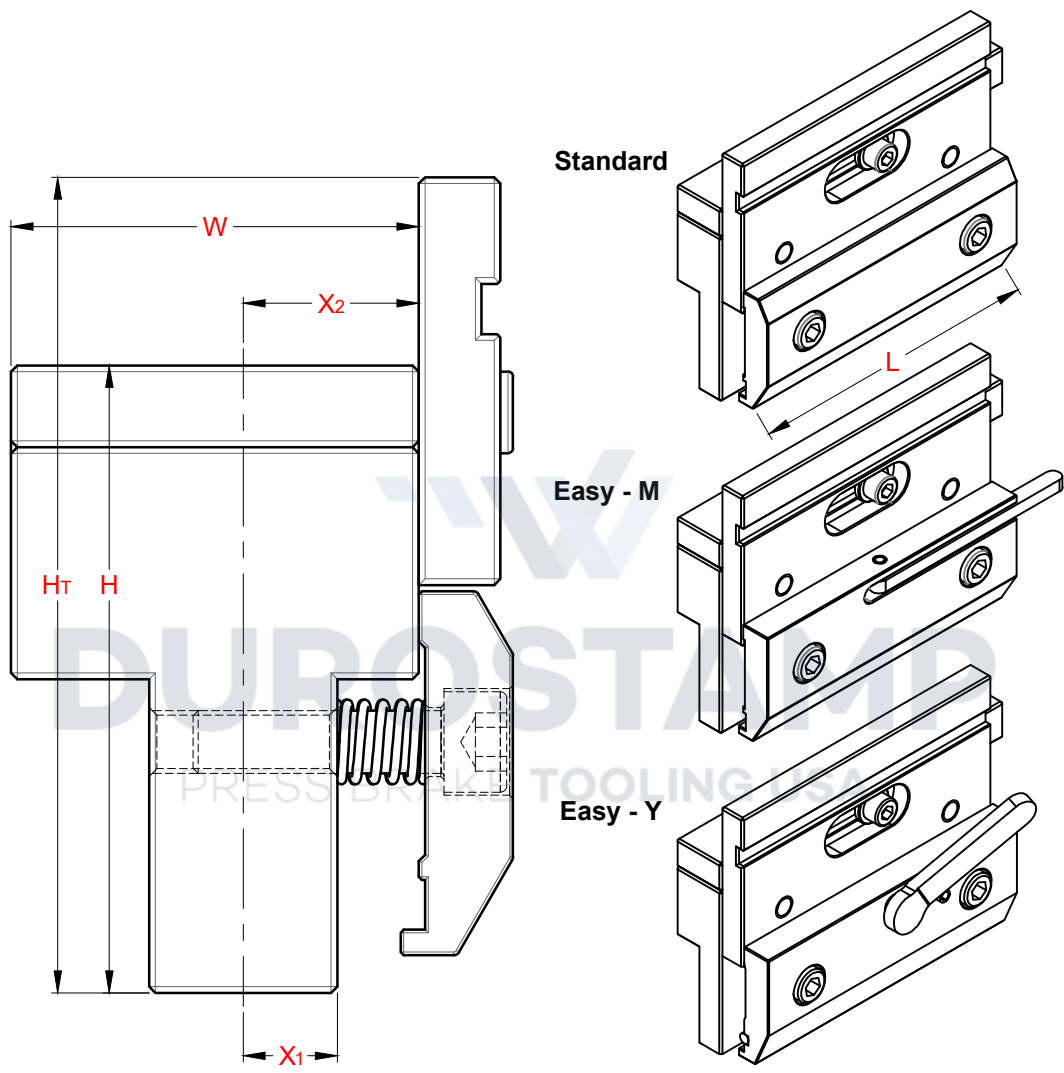


PRESS BRAKE TOOLING USA

EURO TYPE ONE SIDE W 65

PUNCH HOLDER

MODEL CODE	H	W	L	X1	X2	HT
PR.100-S-W65	3.94" - 100 mm	2.56" - 65 mm	5.91" - 150 mm	0.59" - 15 mm	1.10" - 28 mm	5.12" - 130 mm
PR.120-S-W65	4.72" - 120 mm	2.56" - 65 mm	5.91" - 150 mm	0.59" - 15 mm	1.10" - 28 mm	5.91" - 150 mm
PR.150-S-W65	5.91" - 150 mm	2.56" - 65 mm	5.91" - 150 mm	0.59" - 15 mm	1.10" - 28 mm	7.09" - 180 mm
PR.100-S-W65-M	3.94" - 100 mm	2.56" - 65 mm	5.91" - 150 mm	0.59" - 15 mm	1.10" - 28 mm	5.12" - 130 mm
PR.120-S-W65-M	4.72" - 120 mm	2.56" - 65 mm	5.91" - 150 mm	0.59" - 15 mm	1.10" - 28 mm	5.91" - 150 mm
PR.150-S-W65-M	5.91" - 150 mm	2.56" - 65 mm	5.91" - 150 mm	0.59" - 15 mm	1.10" - 28 mm	7.09" - 180 mm
PR.100-S-W65-Y	3.94" - 100 mm	2.56" - 65 mm	5.91" - 150 mm	0.59" - 15 mm	1.10" - 28 mm	5.12" - 130 mm
PR.120-S-W65-Y	4.72" - 120 mm	2.56" - 65 mm	5.91" - 150 mm	0.59" - 15 mm	1.10" - 28 mm	5.91" - 150 mm
PR.150-S-W65-Y	5.91" - 150 mm	2.56" - 65 mm	5.91" - 150 mm	0.59" - 15 mm	1.10" - 28 mm	7.09" - 180 mm



PUNCH HOLDER
PROMECAM - EUROPEAN STYLE

