



DUROSTAMP

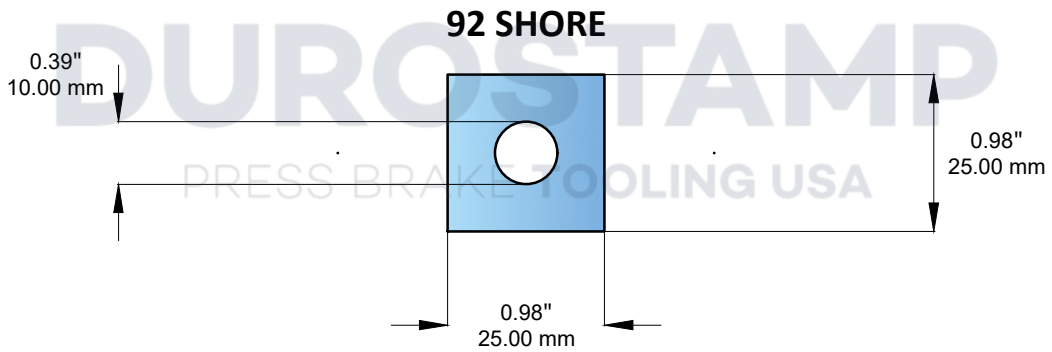


PRESS BRAKE TOOLING USA

DM.PLI-25-H

POLYURETHANE INSERT

92 SHORE



921.050.02	32.88" / 835 mm	1.10 lbs / 0.50 kg
921.050.02 - SC	16.34" / 415 mm	0.44 lbs / 0.20 kg



POLYURETHANE INSERT
NO MARK BENDING

