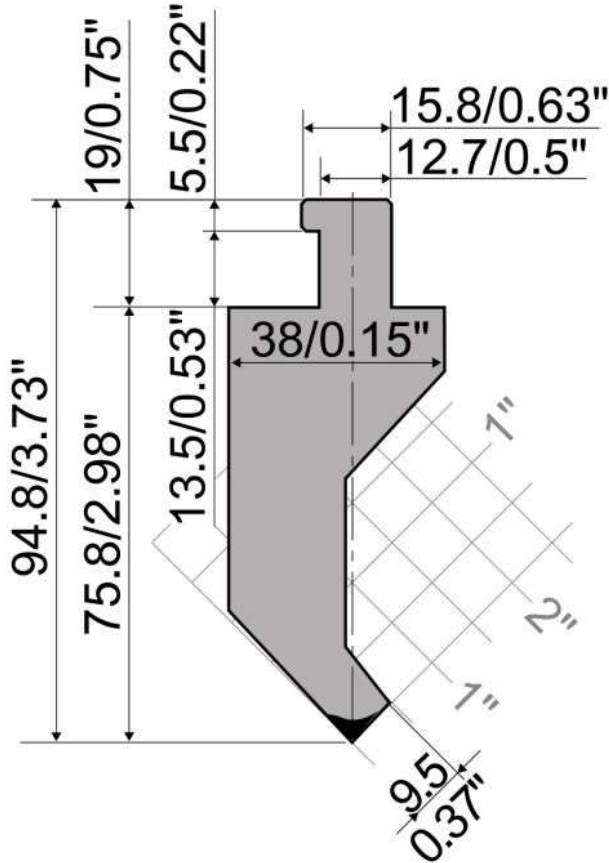




**DUROSTAMP**  
PRESS BRAKE TOOLING USA



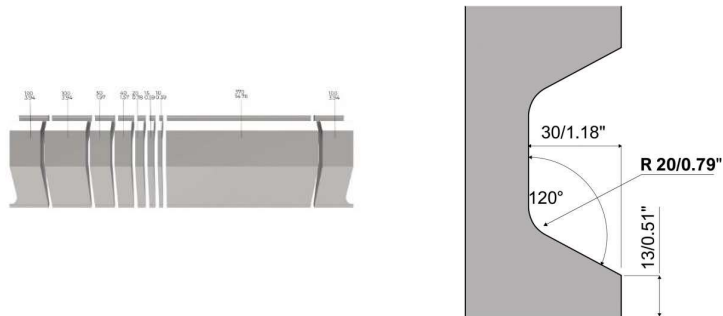
**ASPT.77-A85°-R3.2**



<b>32.99"</b>	838 mm
<b>SC 16.34"</b>	415 mm
<b>SF 31.69"</b>	805 mm
Segmented	9 Pc

<b>28.22 lb</b>	12.80 Kg
<b>14.00 lb</b>	6.35 Kg
<b>27.12 lb</b>	12.30 Kg
Horn Type	2X

<b>Radius</b>			
0.126"	3.20	mm	
<b>42CrMo4</b>			
22.17	T/Ft	66.00	T/M



**PUNCH / ASPT SERIES**  
**AMERICAN STYLE**

