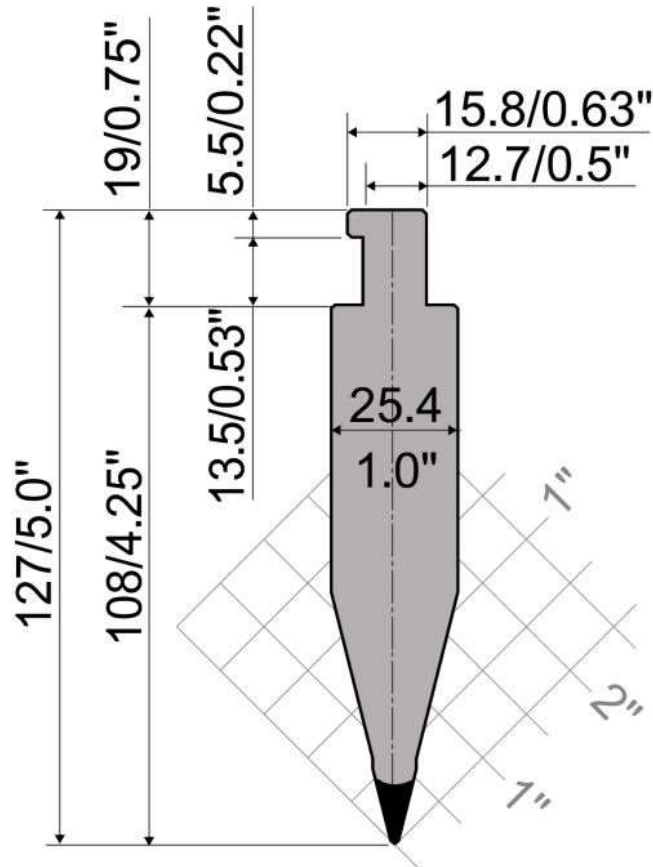




DUROSTAMP
PRESS BRAKE TOOLING USA



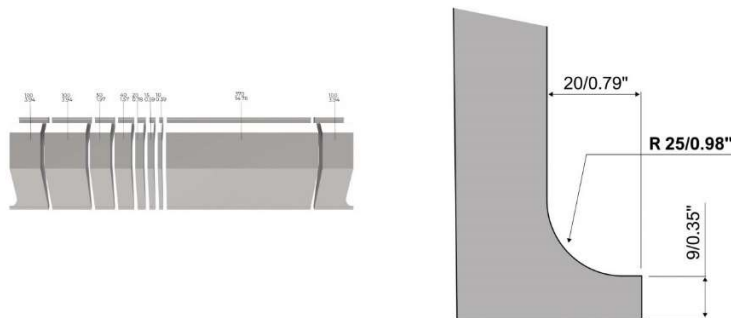
ASPT.108-A28°-R08-2



	32.99"	838	mm
SC	16.34"	415	mm
SF	31.69"	805	mm
Segmented		9	Pc

	27.56 lb	12.50	Kg
	13.67 lb	6.20	Kg
	26.46 lb	12.00	Kg
Horn Type		1X	

Radius			
0.031"	0.80	mm	
42CrMo4			
33.59	T/Ft	100.00	T/M



PUNCH / ASPT SERIES
AMERICAN STYLE

