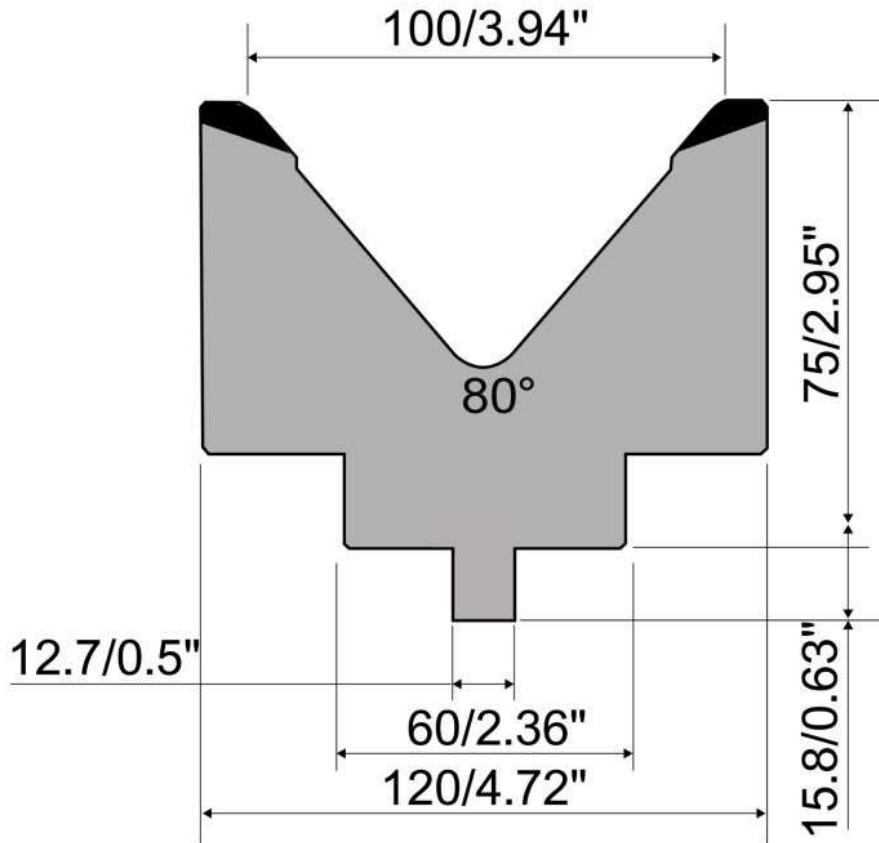




DUROSTAMP
PRESS BRAKE TOOLING USA



ASDT.75-A80°-V100-R8



32.87"	835 mm
SC 16.34"	415 mm
SF 31.69"	805 mm
Segmented	8 Pc

101.85 lb	46.20 Kg
50.93 lb	23.10 Kg
112.04 lb	50.82 Kg

V Open	
3.94"	100.00 mm
C45	
30.50	T/Ft 100.00 T/M



DIE / ASDT SERIES
AMERICAN STYLE

